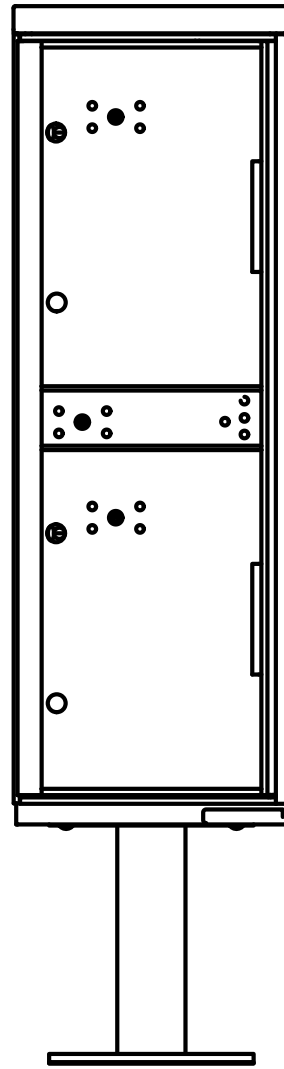
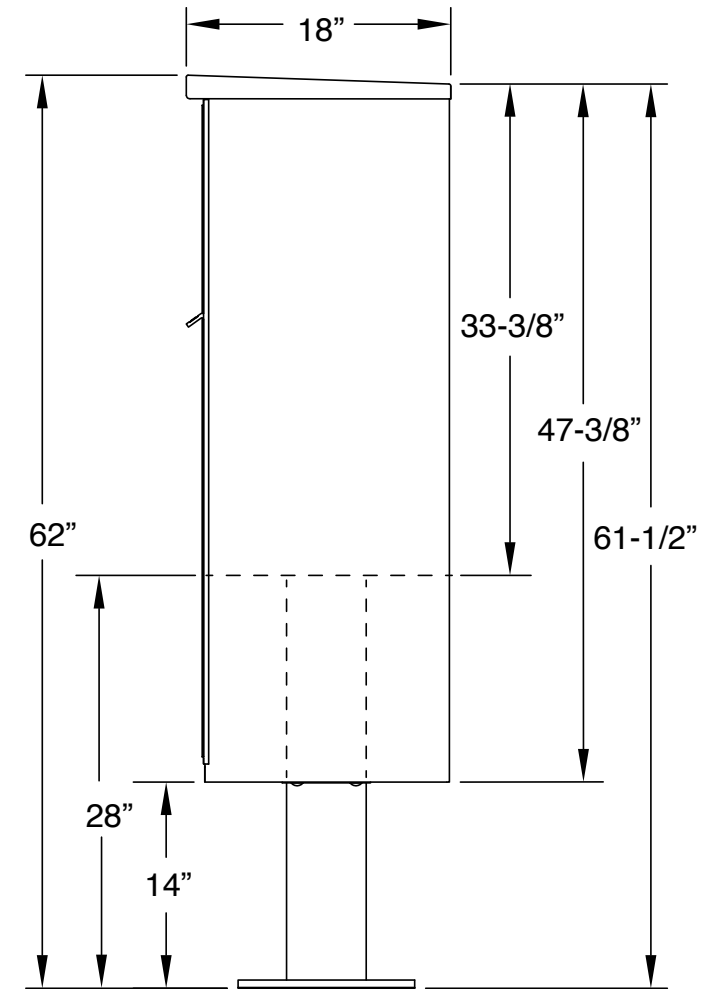


← all w/ Recommended
Clearance:
1' 4" →



1590-T1



Configuration Details:

- 1. **Product Type:** Cluster Box Units
 - 2. **Installation:** Mounted on a pedestal
 - 3. **Finish:** tbd
 - 4. **Locks:** Standard Cam Lock, 3 keys
 - 5. **Door Id:** tbd
 - 6. **Master Door:** Prepared for USPS Master Lock
- Note:** Number placement on drawing does not represent the final position of the engraving/decals.

Models Used:

(1) 1590-T1

DO NOT SCALE OFF DRAWING

Door Sizes Used:

(2) 19-5/8" Parcel



Phone: 1-855-537-0200
www.forsite.us
customerservice@forsite.us
P.O. Box 51402
Jacksonville, FL 32240

Forsite is not responsible for checking local municipal codes. Please verify specifications with your municipality before placing an order.

This document contains confidential and proprietary information that is the property of Forsite. It may not be shared, copied or used in whole or in part with third parties without the expressed written consent of Forsite.

FABRICATION TO BEGIN AFTER DRAWING HAS BEEN APPROVED, SIGNED THEN FAXED OR EMAILED TO FORSITE.

Signature: _____ Date: _____